



MODEL:FC-K1R0

Description: The faucet is made of brass casting, grinding and polishing the surface after molding chrome plating, its scope of application: home kitchens, laboratories, centralized water supply points.

一. Constitution:

- (1)Parts: 1)Faucet*1; 2)Plate*1; 3)RubberWasher*2;
- 4)PiasticWasher*1; 5)StarWasher*1; 6)Locking Nut*1
- 7) 1/4" in-line Thread*1 8)Plastic Plug*1; 9) Compressing Plug*1;

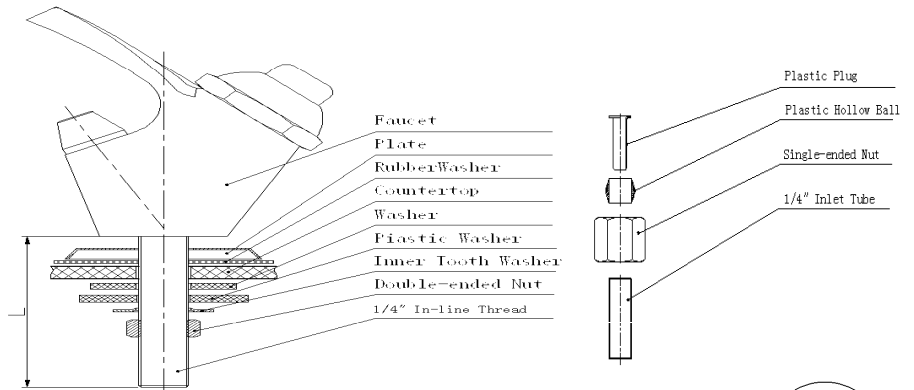


二. Technical Parameters And Related Matters:

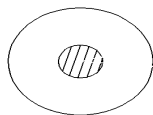
(1)Technical parameters:

Material	Weight (kg)	Type	Description	L (mm)	Norm. Pressure kg/cm2	Inlet Tube
Faucet	Faucet					
Cu	0.52	Tri-pronged handle goose neck faucet	chrome plated	75	2--3	1/4"

(2)Installation diagram: (see photo)

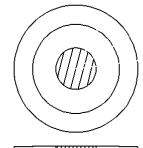


(3)Parts Size:



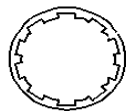
1)Plate:

Name	Material	L1 (mm)	R1 (mm)	R2 (mm)
Plate	PVC	450	225	70



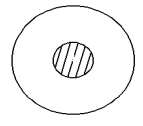
2)PiasticWasher

Name	Material	R1 (mm)	R2 (mm)	R3 (mm)
PiasticWasher	PVC	215	151	70



3)StarWasher:

Name	Material	R (mm)
StarWasher	CS	100



4)RubberWasher:

Name	Material	L1 (mm)	R1 (mm)	R2 (mm)
RubberWasher	NBR	430	215	70

(4)Packing:

1

Quantity of each package	N. W (Kg)	G. W (Kg)	L (mm)	W (mm)	H (mm)
25	13	16	35	24	18

Warning: Do not place in direct sunlight component.